

# Submersible Sewage Pumps with Vortex Impeller

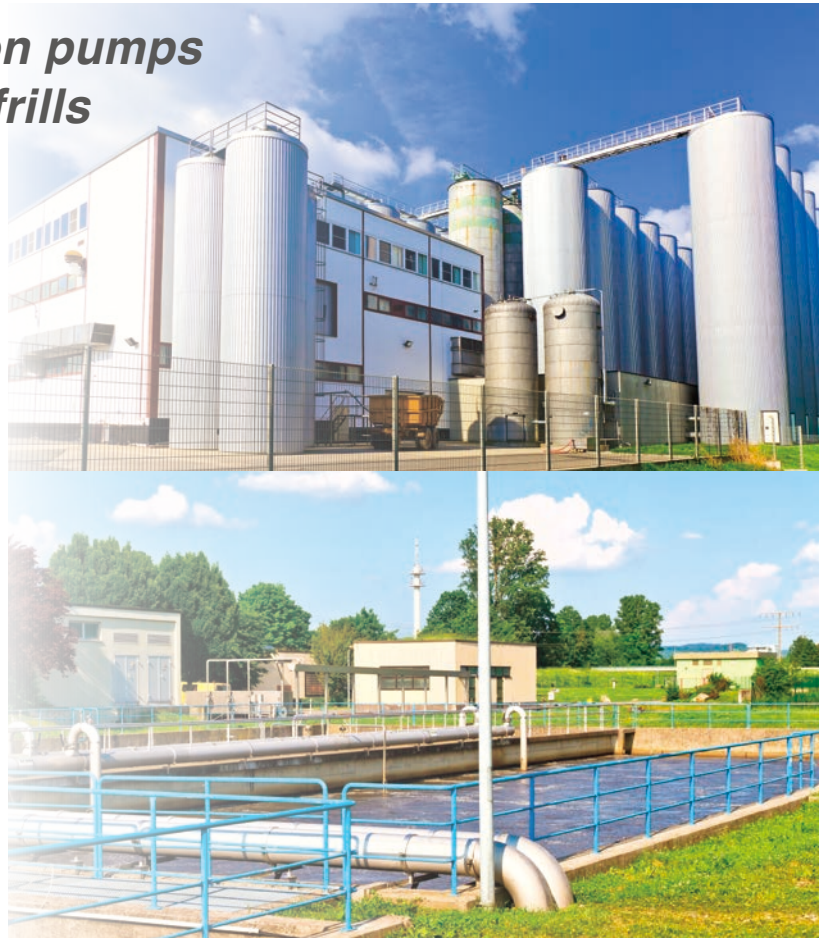


www.tsurumi-global.com

*Compact type cast iron pumps  
with no unnecessary frills*



**UT**



**UTZ**  
Automatic model

## UT/UTZ

are compact and economical, heavy-duty submersible pumps with a vortex impeller for sewage and wastewater applications. These pumps feature a wide 35 mm large solids passage with a semi-vortex design that reduces clogging of fibrous matter to a minimum.

Moreover, these pumps are loaded with field-tested and proven Tsurumi technologies including an anti-wicking cable, dual inside mechanical seals with silicon carbide face and Oil Lifter. And, these pumps come with resin guide rail fitting device that enables easy installation and maintenance.

The UTZ-series pumps are automatic models equipped with a simple float switch that prevents dry-running operation and reduces power consumption.

All Tsurumi pumps are designed and built to deliver the high degree of reliability, durability and quality required for continuous duty.

## Applications

- Transferring wastewater between the tanks (Johkasou/septic tanks) at small-scale treatment facility
- Draining sewage from factory, residence, hotel, restaurant, etc.
- Pumping rainwater and spring water at a place where solid matters are likely to run into the water

# Features

## 1 Anti-wicking Cable Entry

Prevents water incursion due to capillary action should the cable sheath be damaged or the end of cable submerged. Also prevents moist air from infiltrating the motor housing and condensation from forming inside the housing due to temperature differences between the housing and outside air.

## 2 Motor Protector

Reacts to excessive heat caused by overcurrent or dry-running to protect pumps. It not only cuts off the motor circuit automatically but also resets by itself. When the motor cools down to a safe operating temperature, the motor restarts.

## 3 Dual Inside Mechanical Seals with Silicon Carbide Face

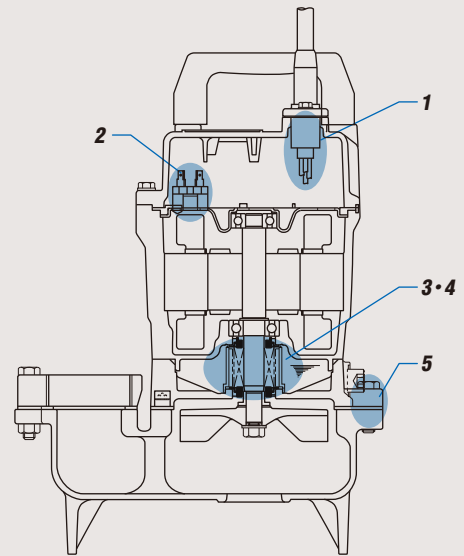
Isolated in the oil chamber where a clean, non-corrosive and abrasion-free lubricating environment is maintained. Compared with the water-cooled outside mechanical seal, it reduces the risk of failure caused by dry-heating and adhering matter. The silicon carbide provides 5 times higher corrosion, wear and heat resistance than the tungsten carbide.

## 4 Oil Lifter [Patented]

Provides lubrication and cooling of the seal faces down to 1/3 of normal oil level, thus maintaining a stable shaft sealing effect and prolonging seal life longer.

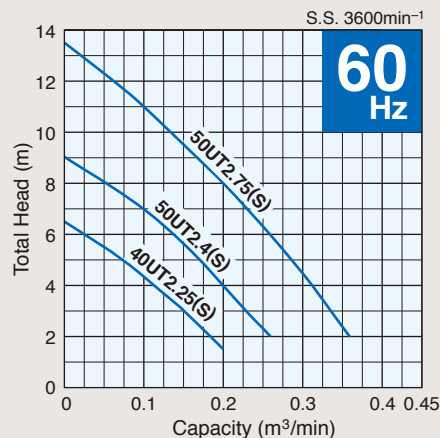
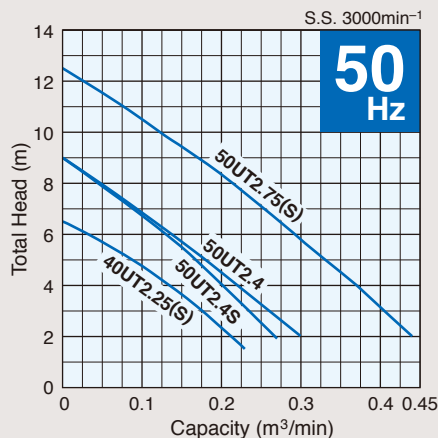
## 5 Back Pull-out Design

Enables the motor to be separated from the pump unit with the impeller attached, by removing the bolts between the oil casing and the pump casing. This design facilitates maintenance and inspection of the principal parts of the pump.



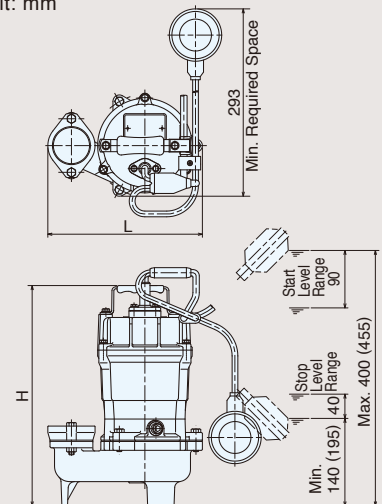
# Performance Curves

Standard and Automatic models have the identical performance.



# Dimensions

Unit: mm



\*The figure in parentheses is for the 50UT2.75S.

# Model Selection

Discharge Bore mm	Model			Motor Output kW	Phase	Starting Method	Solids Passage mm	Dimensions L x H mm	Dry Weight kg	Cable Length m
	Standard	Automatic	Guide Rail Fitting							
40	40UT2.25S	40UT2.25S	(TOK4-A)	0.25	Single	Capacitor Run	35	239 x 350	13.5	5
40	40UT2.25	—	(TOK4-A)	0.25	Three	D.O.L.	35	239 x 350	13	5
50	50UT2.4S	50UT2.4S	(TOK4-A)	0.4	Single	Capacitor Run	35	242 x 350	13.5	5
50	50UT2.4	—	(TOK4-A)	0.4	Three	D.O.L.	35	242 x 350	13	5
50	50UT2.75S	50UT2.75S	(TOK4-A)	0.75	Single	Capacitor Run	35	242 x 406	16.5	5
50	50UT2.75	—	(TOK4-A)	0.75	Three	D.O.L.	35	242 x 387	15.5	5

• For use in combination with the guide rail fitting, order the pump and the TOK4-A guide rail fitting individually.

• Weights excluding cable

We reserve the right to change the specifications and designs for improvement without prior notice.

**TSURUMI**  
**MANUFACTURING CO., LTD.**

www.tsurumi-global.com



Your Dealer